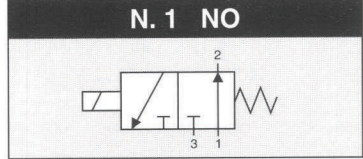
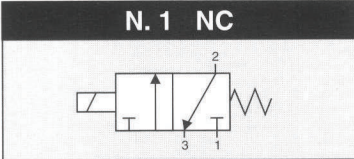


CONTROL: **DIRECT**



**GENERAL CHARACTERISTICS**

<b>FLUID</b>	Non-lubricated dry air, neutral gases (-10 + 50°C)		
<b>FILTRATION RATING</b>	Min 40 micron		
<b>TEMPERATURE</b>	- 10 + 50°C (Standard version)		
<b>RESPONSE TIME IN OPENING</b>	12 / 24 < 7 ms	JJ < 5 ms	XX / KK < 2 ms
<b>RESPONSE TIME IN CLOSING</b>	12 / 24 < 3 ms	JJ < 2 ms	XX / KK < 2 ms
<b>MAXIMUM FREQUENCY</b>	100 Hz	200 Hz	300 Hz
<b>WEIGHT</b>	35 g		
<b>PRODUCT LIFE EXPECTANCY</b>	≥ 500 M/s cycles		
<b>IP RATING</b>	IP 62		

**IDENTIFICATION CODE**

	<b>H</b>	<b>X</b>	<b>7</b>	<b>2</b>	<b>1</b>	<b>1</b>	<b>0</b>	<b>2</b>	<b>C</b>	<b>3</b>	<b>24</b>
--	----------	----------	----------	----------	----------	----------	----------	----------	----------	----------	-----------

**• OUTLETS**

1	1 Outlet
---	----------

**• FLOW RATE (at 6 bar)**

<b>H</b>	50 N/ / min
<b>B</b>	80 N/ / min
<b>M</b>	100 N/ / min (control tension JJ XX KK)

**• VERSION**

	Body ported
<b>H</b>	Body ported - HNBR Shutters
<b>F</b>	Manifold
<b>J</b>	Manifold - HNBR Shutters

**• No. ELECTRICAL CONTROLS**

1	1 Control
---	-----------

**• PORT CONNECTION**

<b>0</b>	Integrated cables IP 62 L = 500 mm
<b>1</b>	Integrated cables IP 62 L = 100 mm

**• FUNCTION**

<b>A</b>	NO
<b>C</b>	NC

**• TYPE**

<b>3</b>	3/2
----------	-----

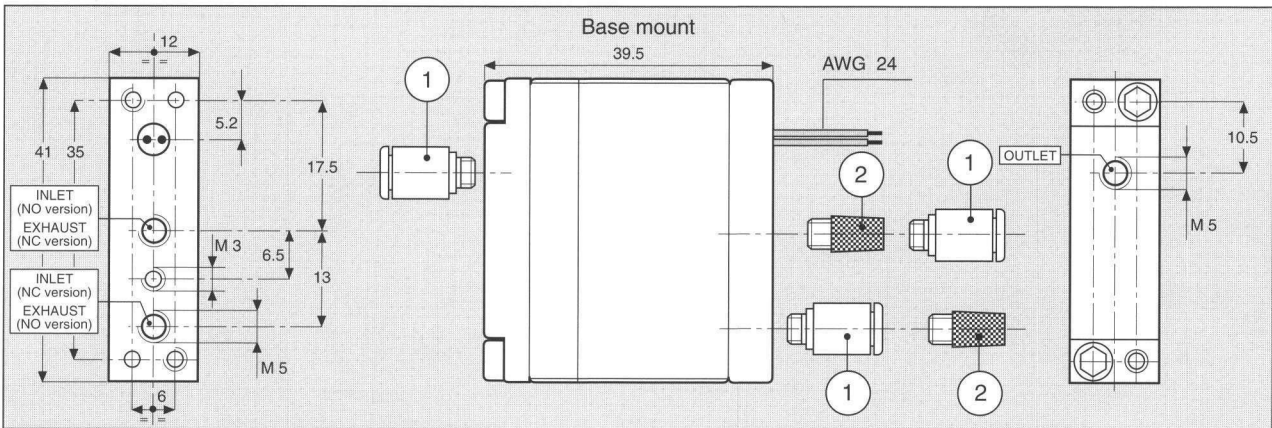
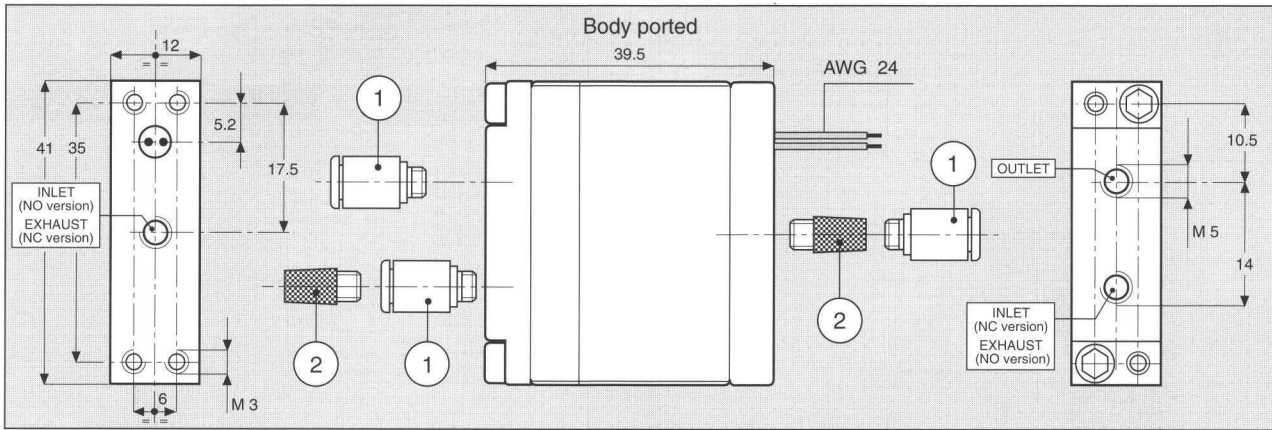
**• CONTROL TENSION**

<b>12</b>	12 VDC ± 10 %	ED 100 %	1.4 W
<b>24</b>	24 VDC ± 10 %	ED 100 %	1.2 W
<b>JJ</b>	24 VDC ± 10 %	ED 100 % <sup>(1)</sup>	1.9 W
<b>XX</b>	Speed-up in current	ED 100 % <sup>(1)</sup>	—
<b>KK</b>	Speed-up in tension	ED 100 % <sup>(1)</sup>	—

(<sup>1</sup>) Only with Electronic Driver Boards PRB or UDB

**• OPERATING PRESSURE**

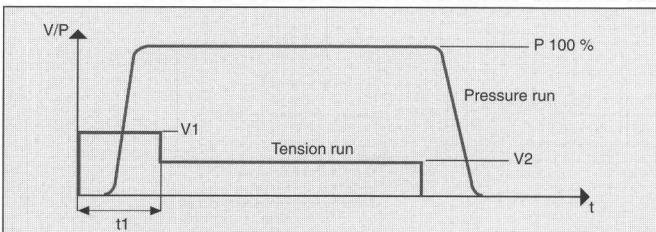
	RANGE	MODELS
<b>1</b>	0 - 4 bar	All
<b>2</b>	4 - 8 bar	All
<b>3</b>	0 - 8 bar	.... XX / KK
<b>8</b>	2 - 6 bar	All



ACCESSORIES		
Reference	Quantity	Description
1	2	PUSH-IN FITTING Ø 4/6
2	1	SILENCER

NOTE: Inch size available

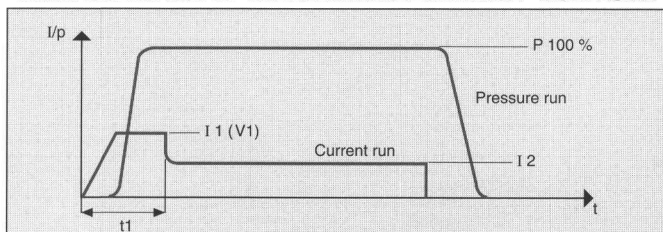
CHARACTERISTICS OF THE ELECTRICAL CONTROL - MODELS KK



N.B. KK MODELS ARE CONTROLLED IN TENSION

V1 = 24 VDC      t1 = 2 ms      V2 = 5 VDC

CHARACTERISTICS OF THE ELECTRICAL CONTROL - MODELS XX



N.B. XX MODELS ARE CONTROLLED IN CURRENT

I1 = 0.7 A      t1 = 2 ms      I2 = 0.3 A

FLOW RATE  $\bar{M}$

